



GHISA - CAST IRON

I dati tecnici riportati nel presente catalogo non sono impegnativi.
Felm si riserva il diritto e la facoltà di apportare modifiche in qualsiasi momento senza preavviso.

The technical data listed in this catalogue may not be considered as binding.
Felm reserves the right to make modifications at any time without notice.

SPECIFICHE TECNICHE (50HZ) 2 POLI
TECHNICAL SPECIFICATION (50HZ) 2 POLE

Motor Type	Rated output		Full load					Locked Current	Locked Torque	Break-down Torque	moment of inertia J	weight
			Current A		Speed r/min	Power factor COSØ	Efficiency η%					
	kW	HP	380V	400V				Rated Current	Rated Torque	Rated Torque	kgm²	kg
Y ₂ 63A-2	0.18	0.24	0.52	0.50	2720	0.803	65.2	2.86	2.07	2.87	0.0003	10
Y ₂ 63B-2	0.25	0.33	0.68	0.65	2730	0.814	68.4	3.11	2.62	2.76	0.0004	11
Y ₂ 71A-2	0.37	0.5	1.01	0.96	2807	0.822	67.7	5.68	3.53	3.34	0.0005	14
Y ₂ 71B-2	0.55	0.75	1.34	1.28	2841	0.819	76.0	6.94	3.76	3.79	0.0006	15
Y ₂ 80A-2	0.75	1.0	1.86	1.77	2870	0.809	75.8	6.81	3.34	3.64	0.0008	16
Y ₂ 80B-2	1.1	1.5	2.52	2.39	2874	0.841	79.0	7.18	3.11	3.42	0.0009	17
Y ₂ 90S-2	1.5	2.0	3.50	3.33	2854	0.819	79.4	6.43	3.09	3.25	0.0012	22
Y ₂ 90L-2	2.2	3.0	4.78	4.54	2841	0.862	81.1	6.24	3.17	3.38	0.0014	25
Y ₂ 100L-2	3.0	4.0	6.30	5.99	2867	0.869	83.2	7.62	2.87	3.64	0.0029	33
Y ₂ 112M-2	4.0	5.5	7.68	7.29	2862	0.928	85.3	6.88	2.08	3.46	0.0055	40
Y ₂ 132SA-2	5.5	7.5	10.9	10.4	2904	0.891	86.0	7.56	2.48	3.68	0.0104	59
Y ₂ 132SB-2	7.5	10	14.4	13.7	2878	0.906	87.2	6.79	2.03	3.38	0.0121	62
Y ₂ 160MA-2	11	15	21.2	20.1	2925	0.894	88.3	7.91	2.27	3.33	0.0370	107
Y ₂ 160MB-2	15	20	27.8	26.4	2931	0.918	89.3	8.37	2.69	3.74	0.0432	117
Y ₂ 160L-2	18.5	25	34.2	32.5	2938	0.900	91.4	8.34	2.81	3.71	0.0525	134
Y ₂ 180M-2	22	30	40.2	38.2	2951	0.920	90.4	7.71	2.77	3.44	0.0710	169
Y ₂ 200LA-2	30	40	53.9	51.2	2952	0.925	91.4	7.89	2.56	3.41	0.119	220
Y ₂ 200LB-2	37	55	66.5	63.2	2950	0.918	92.1	7.60	2.24	3.21	0.133	239
Y ₂ 225M-2	45	60	81.7	77.6	2962	0.904	92.6	7.84	2.64	3.56	0.221	297
Y ₂ 250M-2	55	75	100	95.1	2966	0.898	93.0	7.83	2.26	3.51	0.305	377
Y ₂ 280S-2	75	100	133	127	2974	0.912	93.8	7.15	2.42	3.33	0.584	510
Y ₂ 280M-2	90	125	160	152	2961	0.913	93.9	6.98	2.34	3.53	0.665	540
Y ₂ 315S-2	110	150	197	187	2974	0.902	94.2	6.32	2.03	3.10	1.130	920
Y ₂ 315M-2	132	180	232	221	2972	0.910	94.8	5.88	2.00	2.89	1.750	970
Y ₂ 315LA-2	160	215	280	266	2974	0.915	95.0	6.92	2.21	3.33	2.010	1080
Y ₂ 315LB-2	200	270	348	331	2972	0.914	95.4	6.68	2.05	3.23	2.270	1170
Y ₂ 355M-2	250	340	440	418	2985	0.900	95.9	6.78	2.11	3.07	3.296	1690
Y ₂ 355LA-2	280	375	495	470	2977	0.900	95.5	5.36	1.57	2.58	3.849	1850
Y ₂ 355LB-2	315	420	553	525	2988	0.904	95.8	7.38	1.86	3.43	3.95	1850
Y ₂ 355XA-2	355	475	617	587	2985	0.910	96.0	6.74	1.83	3.07	4.16	2050
Y ₂ 355XB-2	400	535	694	659	2985	0.911	96.1	6.33	1.79	2.77	4.32	2180
Y ₂ 355XC-2	450	600	778	740	2985	0.913	96.2	6.53	1.92	2.94	4.54	2340
Y ₂ 355XD-2	500	670	860	817	2985	0.916	96.4	6.83	2.09	2.84	4.82	2520
Y ₂ 400MA-2	355	475	629	597	2986	0.900	95.3	7.50	1.55	2.40	7.45	2850
Y ₂ 400MB-2	400	535	702	667	2988	0.900	96.2	7.61	1.69	2.82	7.95	2950
Y ₂ 400M3-2	450	600	793	753	2988	0.900	95.8	7.50	1.46	2.70	8.60	3200
Y ₂ 400LA-2	500	670	872	829	2988	0.908	95.9	7.30	1.52	2.80	9.60	3340
Y ₂ 400XA-2	560	750	977	928	2988	0.907	96.0	7.30	1.43	2.65	11.1	3490
Y ₂ 400XB-2	630	840	1099	1044	2988	0.906	96.1	7.42	1.51	2.75	14.5	3660
Y ₂ 400XC-2	710	945	#715	*680	2988	0.905	96.2	7.61	1.57	2.81	18.2	3820
Y ₂ 450XA-2	800	1065	#801	*766	2990	0.908	96.2	7.40	1.08	2.35	21.2	4400
Y ₂ 450XB-2	900	1200	#904	*865	2990	0.906	96.1	7.50	1.12	2.44	24.6	4650
Y ₂ 450XC-2	1000	1335	#1000	*957	2990	0.908	96.3	7.38	1.06	2.28	28.7	4950

Osservazioni: 1) con “#” i dati di corrente sono riferiti a Volt 660; 2) con “*” i dati di corrente sono riferiti a Volt 690
Remark: 1) with “#”, the current data is of voltage 660V; 2) with “*”, the current data is of voltage 690V.

SPECIFICHE TECNICHE (50HZ) 4 POLI
TECHNICAL SPECIFICATION (50HZ) 4 POLE

Motor Type	Rated output		Full load					Locked Current	Locked Torque	Break-down Torque	moment of inertia J	weight
			Current A		Speed r/min	Power factor COSØ	Efficiency η%					
	kW	HP	380V	400V				Rated Current	Rated Torque	Rated Torque	kgm²	kg
Y ₂ 63A-4	0.12	0.16	0.44	0.42	1340	0.714	57.8	3.57	2.48	3.16	0.00009	11
Y ₂ 63B-4	0.18	0.24	0.63	0.59	1330	0.724	60.4	3.42	2.69	2.88	0.0001	11
Y ₂ 71A-4	0.25	0.33	0.79	0.75	1400	0.731	66.0	4.6	2.77	3.17	0.0011	14
Y ₂ 71B-4	0.37	0.5	1.12	1.07	1382	0.731	68.4	4.45	2.63	2.97	0.0012	15
Y ₂ 80A-4	0.55	0.75	1.57	1.49	1410	0.737	72.3	4.78	2.78	3.96	0.0018	17
Y ₂ 80B-4	0.75	1.0	1.99	1.89	1402	0.782	73.4	5.86	2.88	3.04	0.0021	18
Y ₂ 90S-4	1.1	1.5	2.8	2.66	1395	0.783	76.3	5.28	2.69	2.71	0.0021	22
Y ₂ 90L-4	1.5	2.0	3.7	3.51	1412	0.784	78.6	6.15	2.09	3.17	0.0027	28
Y ₂ 100LA-4	2.2	3.0	5.08	4.83	1431	0.809	81.3	6.21	2.31	3.05	0.0054	34
Y ₂ 100LB-4	3.0	4.0	6.86	6.52	1431	0.803	82.7	6.95	2.85	3.24	0.0067	38
Y ₂ 112M-4	4.0	5.5	8.48	8.06	1438	0.847	84.6	6.79	2.38	3.23	0.0086	44
Y ₂ 132S-4	5.5	7.5	11.7	11.1	1445	0.837	85.7	7.39	2.22	3.43	0.0205	61
Y ₂ 132M-4	7.5	10	15.1	14.4	1445	0.863	87.3	8.17	2.41	3.31	0.0296	73
Y ₂ 160M-4	11	15	22.0	20.9	1451	0.859	88.5	7.20	2.09	2.98	0.0724	113
Y ₂ 160L-4	15	20	29.5	28.0	1452	0.864	89.5	7.39	2.21	3.09	0.0929	133
Y ₂ 180M-4	18.5	25	35.0	33.2	1465	0.888	90.5	6.96	2.18	3.08	0.135	167
Y ₂ 180L-4	22	30	42.0	39.9	1464	0.878	90.7	6.94	2.11	3.08	0.136	181
Y ₂ 200L-4	30	40	56.6	53.8	1468	0.879	91.6	6.99	2.35	3.16	0.245	232
Y ₂ 225S-4	37	55	70.6	67.1	1472	0.867	91.8	6.70	2.23	3.06	0.390	287
Y ₂ 225M-4	45	60	84.9	80.6	1477	0.870	92.6	7.13	2.37	3.16	0.450	322
Y ₂ 250M-4	55	75	102	97.0	1477	0.880	93.0	7.27	2.44	3.26	0.640	381
Y ₂ 280S-4	75	100	137	130	1481	0.890	93.7	6.36	2.12	3.16	1.045	510
Y ₂ 280M-4	90	125	163	155	1481	0.892	93.9	7.10	2.49	3.24	1.396	600
Y ₂ 315S-4	110	150	204	193	1485	0.869	94.5	5.78	2.02	2.87	2.980	921
Y ₂ 315M-4	132	180	237	226	1485	0.892	94.7	5.65	1.95	2.80	3.480	1002
Y ₂ 315LA-4	160	215	282	268	1486	0.907	95.0	5.64	1.97	2.85	3.960	1070
Y ₂ 315LB-4	200	270	360	342	1485	0.885	95.5	5.97	2.20	2.98	4.470	1181
Y ₂ 355M-4	250	340	444	421	1491	0.894	95.8	6.16	2.90	3.18	7.164	1720
Y ₂ 355LA-4	280	375	497	472	1490	0.892	95.9	6.73	2.64	3.22	7.903	1850
Y ₂ 355LB-4	315	420	558	530	1490	0.893	96.0	7.52	2.37	3.25	8.702	1950
Y ₂ 355XA-4	355	475	618	587	1490	0.895	96.1	6.18	2.13	2.84	11.9	2150
Y ₂ 355XB-4	400	535	710	674	1490	0.890	96.2	6.45	2.30	2.95	13.1	2300
Y ₂ 355XC-4	450	600	802	762	1490	0.886	96.2	6.93	2.57	3.13	14.8	2460
Y ₂ 355XD-4	500	670	880	836	1490	0.896	96.4	6.52	2.28	2.71	16.5	2720
Y ₂ 400MA-4	355	475	628	596	1490	0.893	96.2	6.45	1.56	2.90	14.7	2950
Y ₂ 400MB-4	400	535	708	673	1491	0.891	96.3	6.36	1.34	2.86	14.9	3000
Y ₂ 400M3-4	450	600	790	751	1489	0.903	95.8	6.59	1.47	3.12	15.1	3050
Y ₂ 400LA-4	500	670	877	833	1492	0.901	96.1	6.22	1.27	2.86	18.4	3260
Y ₂ 400XA-4	560	750	1001	951	1492	0.885	96.0	7.38	1.76	3.62	19.5	3360
Y ₂ 400XB-4	630	840	1115	1059	1487	0.896	95.8	6.48	1.56	2.99	21.1	3430
Y ₂ 400XC-4	710	945	1308	1243	1491	0.856	96.3	7.18	2.14	2.78	23.1	3620
Y ₂ 450XA-4	800	1080	#843	*806	1492	0.863	96.2	7.20	2.20	2.85	38.8	4700
Y ₂ 450XB-4	900	1200	#939	*898	1492	0.871	96.3	7.16	2.09	2.63	41.9	4900
Y ₂ 450XC-4	1000	1335	#1050	*1004	1492	0.865	96.3	7.22	2.21	2.86	45.1	5150
Y ₂ 500XA-4	1120	1495	#1147	*1097	1494	0.886	96.4	7.13	2.05	2.95	50.3	5680
Y ₂ 500XB-4	1250	1665	#1288	*1232	1494	0.880	96.5	6.89	1.89	3.02	53.1	5820
Y ₂ 500XC-4	1400	1865	#1428	*1366	1494	0.887	96.7	7.04	2.03	2.80	56.8	6140

Osservazioni: 1) con “#” i dati di corrente sono riferiti a Volt 660; 2) con “*” i dati di corrente sono riferiti a Volt 690
Remark: 1) with “#”, the current data is of voltage 660V; 2) with “*”, the current data is of voltage 690V.

SPECIFICHE TECNICHE (50HZ) 6 POLI
TECHNICAL SPECIFICATION (50HZ) 6 POLE

Motor Type	Rated output		Full load					Locked Current	Locked Torque	Break-down Torque	moment of inertia J	weight
			Current A		Speed r/min	Power factor COSØ	Efficiency η%					
	kW	HP	380V	400V				Rated Current	Rated Torque	Rated Torque	kgm²	kg
Y ₂ 71A-6	0.18	0.24	0.72	0.69	906	0.654	57.8	3.40	2.31	3.19	0.0011	14
Y ₂ 71B-6	0.25	0.33	0.93	0.88	892	0.670	60.9	3.45	2.33	3.01	0.0012	15
Y ₂ 80A-6	0.37	0.5	1.26	1.20	905	0.718	62.1	3.42	2.19	2.58	0.0016	17
Y ₂ 80B-6	0.55	0.75	1.74	1.65	908	0.733	65.5	3.55	2.35	2.62	0.0021	19
Y ₂ 90S-6	0.75	1.0	2.29	2.18	922	0.717	69.3	4.27	2.30	2.66	0.0029	23
Y ₂ 90L-6	1.1	1.5	3.15	3.00	918	0.726	73.0	4.38	2.18	2.82	0.0035	25
Y ₂ 100L-6	1.5	2.0	3.96	3.76	933	0.755	76.3	5.46	2.59	2.91	0.0069	33
Y ₂ 112M-6	2.2	3.0	5.27	5.01	946	0.795	79.8	5.79	1.91	3.00	0.0129	39
Y ₂ 132S-6	3.0	4.0	7.36	6.99	965	0.761	81.4	6.46	2.06	3.25	0.0274	56
Y ₂ 132MA-6	4.0	5.5	9.52	9.04	965	0.776	82.3	6.84	2.03	3.32	0.0343	71
Y ₂ 132MB-6	5.5	7.5	12.5	11.8	967	0.798	84.0	7.12	1.97	3.44	0.0431	75
Y ₂ 160M-6	7.5	10	16.8	16.0	968	0.783	86.5	6.36	1.87	3.16	0.08	108
Y ₂ 160L-6	11	15	23.0	21.8	966	0.828	87.9	6.35	1.90	2.88	0.108	131
Y ₂ 180L-6	15	20	30.8	29.3	976	0.831	89.0	6.71	2.57	2.85	0.167	171
Y ₂ 200LA-6	18.5	25	37.3	35.5	978	0.835	90.2	6.63	2.32	2.98	0.302	216
Y ₂ 200LB-6	22	30	43.9	41.7	976	0.845	90.1	6.62	2.12	2.85	0.342	225
Y ₂ 225M-6	30	40	58.9	56.0	984	0.842	91.9	6.50	1.97	2.63	0.525	292
Y ₂ 250M-6	37	55	69.3	65.8	981	0.882	92.0	6.69	2.23	2.93	0.807	408
Y ₂ 280S-6	45	60	84.2	80.0	985	0.876	92.7	6.41	2.01	2.77	1.1334	465
Y ₂ 280M-6	55	75	102	96.4	983	0.887	92.8	6.47	2.07	2.73	1.598	540
Y ₂ 315S-6	75	100	143	135	990	0.854	93.6	6.02	1.82	2.68	3.94	861
Y ₂ 315M-6	90	125	173	164	988	0.843	93.9	6.09	2.02	2.67	4.58	940
Y ₂ 315LA-6	110	150	206	195	988	0.864	94.1	5.88	1.92	2.58	5.23	1110
Y ₂ 315LB-6	132	180	243	231	989	0.870	95.0	6.03	1.97	2.56	5.54	1175
Y ₂ 355MA-6	160	215	283	269	992	0.902	95.3	7.13	2.19	3.24	9.27	1690
Y ₂ 355MB-6	180	240	316	300	991	0.909	95.3	6.97	1.70	3.10	9.52	1770
Y ₂ 355M3-6	200	270	353	336	992	0.897	95.9	7.03	1.94	3.15	10.8	1870
Y ₂ 355LA-6	225	300	397	377	990	0.901	95.6	6.77	1.73	3.03	11.1	1900
Y ₂ 355LB-6	250	340	444	422	991	0.896	95.5	7.13	1.86	3.17	11.8	1980
Y ₂ 355XA-6	280	375	508	483	992	0.874	95.8	6.59	2.18	2.93	12.9	2150
Y ₂ 355XB-6	315	420	570	542	992	0.874	96.0	6.53	2.19	2.87	13.5	2310
Y ₂ 355XC-6	355	475	642	610	992	0.874	96.1	6.85	2.33	2.98	14.3	2490
Y ₂ 355XD-6	400	535	721	685	992	0.876	96.2	6.69	2.29	2.88	15.4	2730
Y ₂ 400MA-6	315	420	564	536	992	0.883	96.1	6.55	1.42	2.97	21.2	3500
Y ₂ 400MB-6	355	475	638	606	995	0.878	96.3	6.69	1.19	3.10	23.5	3630
Y ₂ 400L-6	400	535	724	687	994	0.874	96.1	7.29	1.48	3.28	26.4	3800
Y ₂ 400XA-6	450	600	794	757	995	0.894	96.0	6.34	1.12	3.02	28.8	3870
Y ₂ 400XB-6	500	670	914	868	994	0.868	95.8	7.36	1.64	3.59	31.4	3970
Y ₂ 400XC-6	560	750	1015	964	994	0.873	96.0	7.28	1.52	3.48	34.8	4090
Y ₂ 450XA-6	630	840	1166	1108	995	0.855	96.0	6.72	1.49	3.34	51.2	4700
Y ₂ 450XB-6	710	945	1307	1242	995	0.858	96.2	6.68	1.43	3.22	54.0	5100
Y ₂ 450XC-6	800	1080	#860	*822	995	0.847	96.1	6.94	1.53	3.46	63.1	5500
Y ₂ 500XA-6	900	1200	#961	*919	995	0.852	96.2	6.05	1.68	2.77	68.5	5800
Y ₂ 500XB-6	1000	1335	#1065	*1019	995	0.853	96.3	6.00	1.67	2.72	72.1	6050
Y ₂ 500XC-6	1120	1495	#1189	*1137	995	0.853	96.6	5.95	1.67	2.67	75.3	6250
Y ₂ 560XA-6	1250	1665	#1310	*1254	995	0.862	96.8	6.21	1.35	2.73	80.5	6900
Y ₂ 560XB-6	1400	1865	#1459	*1396	995	0.867	96.8	6.34	1.44	2.86	84.6	7150

Osservazioni: 1) con “#” i dati di corrente sono riferiti a Volt 660; 2) con “*” i dati di corrente sono riferiti a Volt 690
Remark: 1) with “#”, the current data is of voltage 660V; 2) with “*”, the current data is of voltage 690V.

SPECIFICHE TECNICHE (50HZ) 8 POLI
TECHNICAL SPECIFICATION (50HZ) 8 POLE

Motor Type	Rated output		Full load					Locked Current	Locked Torque	Break-down Torque	moment of inertia J	weight
			Current A		Speed r/min	Power factor COSØ	Efficiency η%					
	kW	HP	380V	400V				Rated Current	Rated Torque	Rated Torque	kgm²	kg
Y ₂ 80A-8	0.18	0.24	0.88	0.84	693	0.606	51.1	3.04	2.66	3.08	0.0016	19
Y ₂ 80B-8	0.25	0.33	1.16	1.10	689	0.604	54.3	2.80	2.55	3.07	0.0021	20
Y ₂ 90S-8	0.37	0.5	1.47	1.40	691	0.614	62.3	3.44	2.20	2.74	0.0029	24
Y ₂ 90L-8	0.55	0.75	2.08	1.98	703	0.612	65.5	3.55	2.57	2.83	0.0035	25
Y ₂ 100LA-8	0.75	1.0	2.37	2.26	695	0.673	71.3	4.03	2.32	2.82	0.0063	33
Y ₂ 100LB-8	1.1	1.5	3.30	3.13	696	0.692	73.2	4.13	2.49	2.87	0.0077	34
Y ₂ 112M-8	1.5	2.0	4.37	4.15	700	0.696	75.0	4.24	2.30	3.02	0.0138	39
Y ₂ 132S-8	2.2	3.0	5.92	5.62	715	0.723	78.1	5.23	2.04	2.88	0.029	62
Y ₂ 132M-8	3.0	4.0	7.56	7.18	713	0.747	80.7	5.03	2.21	2.86	0.038	66
Y ₂ 160MA-8	4.0	5.5	9.71	9.22	718	0.757	82.7	4.97	1.97	2.76	0.065	94
Y ₂ 160MB-8	5.5	7.5	13.3	12.7	722	0.743	84.4	6.15	2.48	3.32	0.082	106
Y ₂ 160L-8	7.5	10	17.0	16.2	721	0.773	86.5	5.85	2.15	3.01	0.114	128
Y ₂ 180M-8	11	15	24.9	23.7	725	0.766	87.5	6.38	2.34	2.72	0.167	170
Y ₂ 200L-8	15	20	33.8	32.1	731	0.756	89.3	6.26	2.19	2.81	0.325	230
Y ₂ 225S-8	18.5	25	40.8	38.8	733	0.762	90.4	6.65	2.25	2.82	0.481	272
Y ₂ 225M-8	22	30	46.1	43.8	734	0.795	91.2	6.86	2.16	2.85	0.531	294
Y ₂ 250M-8	30	40	62.2	59.1	734	0.803	91.2	5.92	2.05	2.86	0.809	370
Y ₂ 280S-8	37	55	75.6	71.8	736	0.812	91.6	5.58	2.13	2.56	1.381	475
Y ₂ 280M-8	45	60	93.3	88.6	737	0.796	92.1	5.83	2.14	2.66	1.721	555
Y ₂ 315S-8	55	75	112	106	740	0.803	92.9	5.11	1.65	2.58	4.59	905
Y ₂ 315M-8	75	100	150	143	740	0.814	93.2	6.05	2.02	2.67	5.36	981
Y ₂ 315LA-8	90	125	179	170	741	0.817	93.4	6.17	2.08	2.74	6.11	1071
Y ₂ 315LB-8	110	150	217	206	742	0.821	93.7	5.85	1.97	2.63	6.55	1160
Y ₂ 355MA-8	132	180	252	239	744	0.841	94.6	6.62	1.88	3.11	12.9	1800
Y ₂ 355MB-8	160	215	298	283	744	0.855	95.3	5.61	1.60	2.73	14.3	1890
Y ₂ 355LA-8	180	240	339	322	744	0.847	95.2	6.03	1.72	2.93	15.0	1970
Y ₂ 355LB-8	200	270	397	377	743	0.805	95.2	5.87	2.08	2.54	15.9	2040
Y ₂ 355XA-8	225	335	449	426	743	0.800	95.2	6.04	2.17	2.47	17.1	2230
Y ₂ 355XB-8	250	335	497	472	743	0.802	95.3	6.07	2.20	2.57	18.5	2410
Y ₂ 355XC-8	280	375	555	528	743	0.803	95.4	6.05	2.20	2.54	20.1	2600
Y ₂ 355XD-8	315	425	626	594	743	0.801	95.5	6.12	2.26	2.55	21.8	2820
Y ₂ 400MA-8	250	335	491	472	745	0.803	95.2	6.92	1.38	3.40	27.4	3350
Y ₂ 400MB-8	280	375	536	510	745	0.833	95.2	6.47	1.34	3.31	28.9	3430
Y ₂ 400L-8	315	425	590	560	746	0.851	95.4	6.47	1.32	3.21	30.6	3650
Y ₂ 400XA-8	355	475	665	631	744	0.848	95.7	5.79	1.17	2.92	32.4	3760
Y ₂ 400XB-8	400	535	748	711	743	0.853	95.3	5.70	1.12	2.98	34.2	3870
Y ₂ 400XC-8	450	600	887	842	745	0.810	95.2	6.50	1.00	2.20	36.0	4000
Y ₂ 450XA-8	500	670	984	935	746	0.803	95.7	5.96	1.20	3.13	51.2	4900
Y ₂ 450XB-8	560	750	1102	1047	746	0.800	95.9	5.89	1.18	3.09	57.8	5150
Y ₂ 450XC-8	630	840	1239	1177	746	0.805	96.0	5.82	1.15	2.97	64.3	5400
Y ₂ 500XA-8	710	945	1382	1313	746	0.813	96.0	5.46	1.58	2.69	70.1	5750
Y ₂ 500XB-8	800	1080	#892	*854	746	0.816	96.1	5.34	1.54	2.52	73.2	5930
Y ₂ 500XC-8	900	1200	#1001	*957	746	0.818	96.2	5.34	1.55	2.51	76.8	6150
Y ₂ 560XA-8	1000	1335	#1106	*1058	746	0.821	96.3	5.28	1.25	2.62	81.8	6850
Y ₂ 560XB-8	1120	1495	#1233	*1180	746	0.824	96.4	5.34	1.31	2.67	84.1	7050
Y ₂ 560XC-8	1250	1665	#1373	*1314	746	0.826	96.4	5.18	1.21	2.56	88.4	7310

Osservazioni: 1) con “#” i dati di corrente sono riferiti a Volt 660; 2) con “*” i dati di corrente sono riferiti a Volt 690
Remark: 1) with “#”, the current data is of voltage 660V; 2) with “*”, the current data is of voltage 690V.

SPECIFICHE TECNICHE (50HZ) 10 POLI
TECHNICAL SPECIFICATION (50HZ) 10 POLE

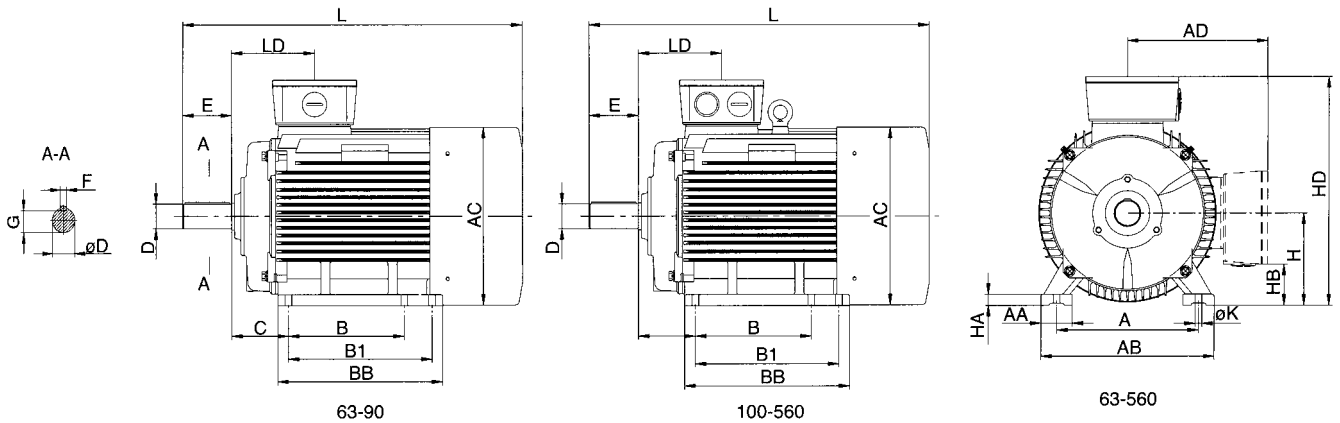
Motor Type	Rated output		Full load					Locked Current	Locked Torque	Break-down Torque	moment of inertia J	weight
			Current A		Speed r/min	Power factor COSØ	Efficiency η%					
	kW	HP	380V	400V				Rated Current	Rated Torque	Rated Torque	kgm ²	kg
Y ₂ 80A-10	0.09	0.12	0.64	0.60	540	0.482	44.6	2.35	1.86	2.25	0.00140	20
Y ₂ 80B-10	0.12	0.16	0.79	0.75	540	0.495	46.7	2.42	1.95	2.37	0.00185	21
Y ₂ 90S-10	0.18	0.24	1.00	0.95	545	0.513	53.5	2.53	2.02	2.45	0.00310	25
Y ₂ 90L-10	0.25	0.33	1.37	1.30	545	0.508	54.7	2.63	2.11	2.53	0.00388	26
Y ₂ 100LA-10	0.37	0.5	1.64	1.56	550	0.537	63.7	2.75	2.18	2.67	0.00640	34
Y ₂ 100LB-10	0.55	0.75	2.45	2.33	550	0.531	64.2	2.82	2.35	2.90	0.00920	35
Y ₂ 112M-10	0.75	1.0	3.09	2.93	550	0.546	67.6	3.05	2.18	2.76	0.01240	41
Y ₂ 132S-10	1.1	1.5	4.27	4.06	555	0.553	70.8	3.21	1.76	2.86	0.01830	64
Y ₂ 132MA-10	1.5	2.0	5.65	5.37	555	0.564	71.5	3.34	1.84	2.98	0.02340	68
Y ₂ 132MB-10	2.2	3.0	8.31	7.89	555	0.558	72.1	3.28	1.81	2.78	0.04350	69
Y ₂ 160MA-10	3.0	4.0	10.2	9.69	560	0.578	77.3	3.45	1.65	2.76	0.05370	96
Y ₂ 160MB-10	4.0	5.5	13.2	12.5	560	0.588	78.5	3.35	1.68	2.89	0.08580	108
Y ₂ 160L-10	5.5	7.5	17.7	16.8	560	0.592	79.7	3.75	1.73	2.96	0.117	132
Y ₂ 180L-10	7.5	10	20.2	19.2	565	0.675	83.7	3.78	1.55	2.78	0.187	176
Y ₂ 200LA-10	11	15	25.2	23.9	570	0.765	86.7	3.90	1.14	2.12	0.247	235
Y ₂ 200LB-10	15	20	34.2	32.5	570	0.766	87.1	4.12	1.21	2.26	0.0288	242
Y ₂ 225M-10	18.5	25	40.3	38.3	580	0.777	89.7	4.77	1.39	2.34	0.258	301
Y ₂ 250M-10	22	30	46.8	44.5	580	0.794	89.9	5.42	1.05	2.45	0.827	376
Y ₂ 280S-10	30	40	68.8	65.4	585	0.732	90.5	4.04	1.74	2.39	1.44	491
Y ₂ 280M-10	37	55	84.3	80.1	585	0.735	90.7	4.16	1.82	2.43	1.66	564
Y ₂ 315S-10	45	60	98.3	93.4	590	0.753	92.4	4.45	1.51	2.43	2.84	917
Y ₂ 315M-10	55	75	119	113	590	0.759	97.2	4.32	1.47	2.31	3.43	998
Y ₂ 315LA-10	75	100	162	154	590	0.758	92.8	4.55	1.53	2.55	3.74	1088
Y ₂ 315LB-10	90	125	193	184	590	0.760	93.0	4.63	1.55	2.58	6.87	1177
Y ₂ 355MA-10	110	150	235	223	590	0.765	93.1	4.59	1.44	2.44	9.4	1821
Y ₂ 355MB-10	132	180	282	268	590	0.763	93.2	4.77	1.35	2.38	9.5	1910
Y ₂ 355L-10	160	215	320	304	590	0.803	94.7	5.57	1.24	2.39	9.6	1993
Y ₂ 355XA-10	180	240	360	342	590	0.801	94.8	5.73	1.29	2.44	11.6	2032
Y ₂ 355XB-10	200	270	397	377	590	0.806	94.9	5.71	1.28	2.35	17.8	2142
Y ₂ 355XC-10	225	300	446	424	590	0.807	95.0	6.07	1.39	2.34	19.4	2208
Y ₂ 355XD-10	250	335	493	468	590	0.810	95.1	5.96	1.31	2.28	21.3	2322
Y ₂ 400MA-10	200	270	397	377	595	0.805	95.1	5.73	1.15	3.02	33.2	3150
Y ₂ 400MB-10	225	300	445	422	595	0.807	95.3	5.60	1.06	2.92	34.8	3180
Y ₂ 400L-10	250	335	490	466	595	0.811	95.5	5.69	1.11	2.98	36.5	3220
Y ₂ 400XA-10	280	375	547	579	595	0.814	95.6	5.81	1.12	3.05	38.4	3350
Y ₂ 400XB-10	315	425	612	582	595	0.817	95.7	5.77	1.09	3.03	40.5	3480
Y ₂ 450XA-10	355	475	700	665	595	0.808	95.3	5.46	1.07	2.81	52.4	4960
Y ₂ 450XB-10	400	535	786	746	595	0.810	95.5	5.29	1.02	2.70	59.2	5240
Y ₂ 450XC-10	450	600	889	844	595	0.804	95.7	5.38	1.06	2.78	66.2	5450
Y ₂ 500XA-10	500	670	981	932	595	0.809	95.7	5.38	1.18	2.49	71.3	5730
Y ₂ 500XB-10	560	750	1101	1046	595	0.807	95.8	5.56	1.23	2.57	74.5	5920
Y ₂ 500XC-10	630	840	1232	1171	595	0.810	95.9	5.42	1.20	2.49	78.5	6170
Y ₂ 560XA-10	710	945	1410	1340	595	0.801	95.5	4.94	0.85	2.63	83.5	6880
Y ₂ 560XB-10	800	1080	#910	*870	595	0.804	95.7	5.06	0.89	2.68	85.3	7080
Y ₂ 560XC-10	900	1200	#1020	*975	595	0.806	95.8	5.13	0.94	2.72	90.4	7350

Osservazioni: 1) con “#” i dati di corrente sono riferiti a Volt 660; 2) con “*” i dati di corrente sono riferiti a Volt 690
Remark: 1) with “#”, the current data is of voltage 660V; 2) with “*”, the current data is of voltage 690V.

SPECIFICHE TECNICHE (50HZ) 12 POLI
TECHNICAL SPECIFICATION (50HZ) 12 POLE

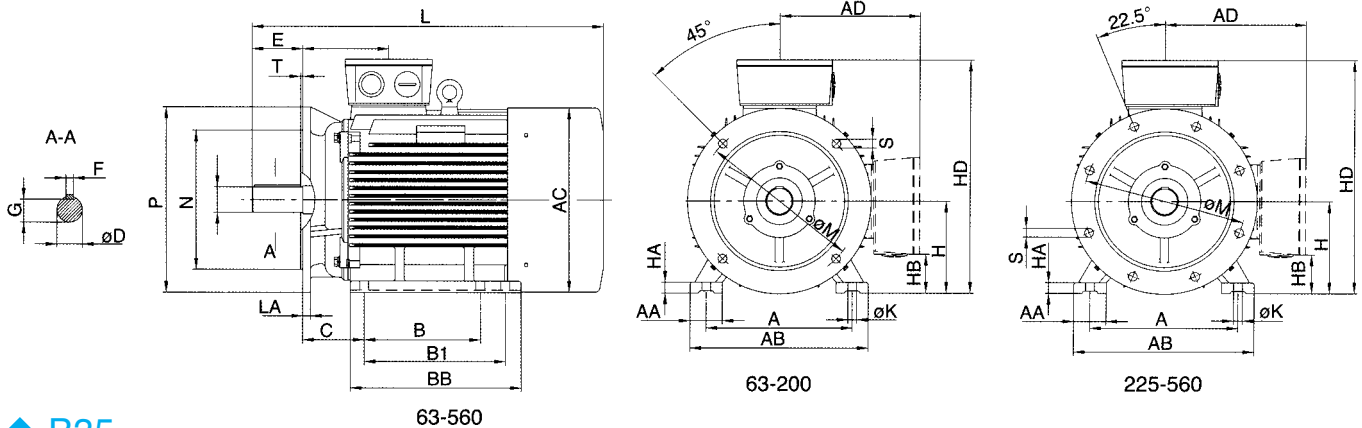
Motor Type	Rated output		Full load					Locked Current	Locked Torque	Break-down Torque	moment of inertia J	weight
			Current A		Speed r/min	Power factor COSØ	Efficiency η%					
	kW	HP	380V	400V				Rated Current	Rated Torque	Rated Torque	kgm²	kg
Y ₂ 90S-12	0.18	0.24	1.31	1.24	460	0.446	46.9	2.07	1.84	3.18	0.00310	25
Y ₂ 90L-12	0.25	0.33	1.71	1.63	465	0.457	48.5	2.18	1.98	3.30	0.00385	26
Y ₂ 100LA-12	0.37	0.5	1.83	1.73	455	0.561	54.9	2.40	1.55	2.68	0.00634	34
Y ₂ 100LB-12	0.55	0.75	2.72	2.58	460	0.546	56.3	2.64	1.60	2.82	0.00911	35
Y ₂ 112M-12	0.75	1.0	3.47	3.30	465	0.543	60.4	3.28	1.46	2.67	0.01238	40.5
Y ₂ 132S-12	1.1	1.5	4.73	4.49	470	0.548	64.5	3.87	1.59	2.62	0.0231	64
Y ₂ 132MA-12	1.5	2.0	6.33	6.02	470	0.551	65.3	3.74	1.53	2.54	0.0432	68
Y ₂ 160M-12	2.2	3.0	8.74	8.31	475	0.547	69.9	4.88	1.61	3.23	0.0533	96
Y ₂ 160L-12	3.0	4.0	11.0	12.5	480	0.543	72.2	5.09	1.67	3.43	0.0114	130
Y ₂ 180L-12	4.0	5.5	13.8	13.1	480	0.583	75.6	4.88	1.92	2.86	0.128	173
Y ₂ 200LA-12	5.5	7.5	15.3	14.5	480	0.656	83.4	3.76	2.21	2.55	0.146	233
Y ₂ 200LB-12	7.5	10	19.5	18.5	480	0.685	85.2	3.40	2.10	2.35	0.249	275
Y ₂ 225M-12	11	15	29.0	27.5	485	0.672	85.8	3.52	1.82	2.32	0.418	298
Y ₂ 250M-12	15	20	39.5	37.6	485	0.664	86.8	3.74	1.78	2.29	0.807	375
Y ₂ 280S-12	18.5	25	46.8	44.5	485	0.673	89.2	3.90	1.72	2.21	1.26	480
Y ₂ 280M-12	22	30	56.6	53.8	485	0.659	89.6	3.72	1.52	2.40	1.47	561
Y ₂ 315S-12	30	40	77.0	73.2	485	0.649	91.2	4.46	1.85	2.71	2.35	912
Y ₂ 315M-12	37	55	95.0	90.2	485	0.652	90.8	4.52	1.83	2.74	3.07	987
Y ₂ 315LA-12	45	60	114	108	485	0.655	91.4	4.59	1.86	2.81	3.34	1080
Y ₂ 315LB-12	55	75	141	134	485	0.648	91.2	4.63	1.88	2.89	3.62	1165
Y ₂ 355MA-12	75	100	173	165	490	0.709	92.8	4.14	1.14	2.18	4.01	1820
Y ₂ 355MB-12	90	125	207	196	490	0.711	93.0	4.24	1.22	2.23	9.35	1900
Y ₂ 355L-12	110	150	252	239	490	0.713	93.2	4.19	1.18	2.25	10.4	1975
Y ₂ 355XA-12	132	180	297	282	495	0.720	93.9	4.38	1.05	2.18	13.2	2035
Y ₂ 355XB-12	160	215	360	342	495	0.718	94.1	4.45	1.08	2.21	15.8	2145
Y ₂ 355XC-12	180	240	402	382	495	0.722	94.2	4.43	1.06	2.18	18.5	2210
Y ₂ 400MA-12	132	180	286	272	495	0.741	94.5	4.88	1.02	2.28	28.2	3040
Y ₂ 400MB-12	160	215	344	327	495	0.746	94.7	4.82	0.99	2.22	29.8	3120
Y ₂ 400L-12	180	240	391	372	495	0.739	94.6	4.84	1.01	2.25	31.7	3220
Y ₂ 400XA-12	200	270	431	409	495	0.744	94.8	4.95	1.08	2.34	33.8	3330
Y ₂ 400XB-12	225	300	489	465	495	0.738	94.7	4.78	0.98	2.19	36.9	3450
Y ₂ 450XA-12	250	335	533	506	495	0.751	94.9	4.73	0.96	2.34	50.5	4980
Y ₂ 450XB-12	280	375	599	569	495	0.748	95.0	4.68	0.94	2.28	57.8	5260
Y ₂ 450XC-12	315	425	668	634	495	0.756	94.8	4.78	0.98	2.30	64.5	5520
Y ₂ 500XA-12	355	475	739	702	495	0.767	95.1	4.95	0.90	2.41	69.2	5760
Y ₂ 500XB-12	400	535	840	798	495	0.760	95.2	4.83	0.86	2.48	72.2	5940
Y ₂ 500XC-12	450	600	946	898	495	0.758	95.4	4.90	0.88	2.44	76.4	6150
Y ₂ 560XA-12	500	670	1027	976	495	0.777	95.2	4.54	0.84	2.38	81.1	6770
Y ₂ 560XB-12	560	750	1157	1099	495	0.771	95.4	4.62	0.82	2.41	83.2	6930
Y ₂ 560XC-12	630	840	1294	1229	495	0.774	95.6	4.60	0.81	2.40	88.0	7200

Osservazioni: 1) con “#” i dati di corrente sono riferiti a Volt 660; 2) con “*” i dati di corrente sono riferiti a Volt 690
Remark: 1) with “#”, the current data is of voltage 660V; 2) with “*”, the current data is of voltage 690V.



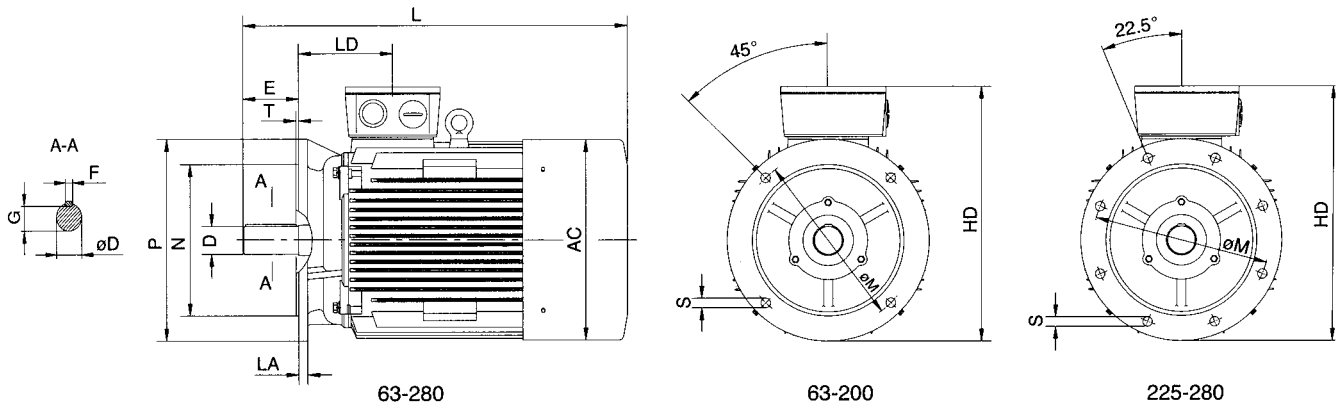
◆ B3

Frame size	Pole	Mounting dimensions (mm)													Overall dimensions (mm)									
		A	B	B1	B2	B3	C	D	E	F	G	H	K	AB	AC	AD	HD	BB	LD	HA	HB	AA	L	
63M	2.4	100	80	/	/	/	40	11	23	4	8.5	63	7	135	125	/	185	110	65	10	/	30	225	
71M	2.4.6	112	90	/	/	/	45	14	30	5	11	71	7	145	140	/	200	120	70	10	/	32	250	
80M	2-12	125	100	/	/	/	50	19	40	6	15.5	80	10	160	160	145	225	130	100	12	35	35	280	
90S	2-12	140	100	/	/	/	56	24	50	8	20	90	10	180	175	155	245	140	105	12	50	35	315	
90L	2-12	140	125	/	/	/	56	24	50	8	20	90	10	180	175	155	245	165	120	12	50	35	340	
100L	2-12	160	140	/	/	/	63	28	60	8	24	100	12	200	200	180	270	175	130	14	55	40	375	
112M	2-12	190	140	/	/	/	70	28	60	8	24	112	12	230	225	190	305	180	145	17	60	45	400	
132S	2-12	216	140	/	/	/	89	38	80	10	33	132	12	265	260	210	345	190	165	18	65	55	465	
132M	2-12	216	178	/	/	/	89	38	80	10	33	132	12	265	260	210	345	230	185	18	65	55	505	
160M	2-12	254	210	/	/	/	108	42	110	12	37	160	15	315	315	260	415	260	212	20	80	65	600	
160L	2-12	254	254	/	/	/	108	42	110	12	37	160	15	315	315	260	415	300	212	20	80	65	640	
180M	2.4	279	241	/	/	/	121	48	110	14	42.5	180	15	350	360	280	455	310	240	22	105	70	690	
180L	4-12	279	279	/	/	/	121	48	110	14	42.5	180	15	350	360	280	455	350	240	22	105	70	730	
200L	2-12	318	305	/	/	/	133	55	110	16	49	200	19	390	400	305	505	370	185	25	85	70	760	
225S	4.8	356	286	/	/	/	149	60	140	18	53	225	19	435	450	335	550	370	195	28	110	75	810	
225M	2	356	311	/	/	/	149	55	110	16	49	225	19	435	450	335	550	395	195	28	110	75	805	
	4-12	356	311	/	/	/	149	60	140	18	53	225	19	435	450	335	550	395	195	28	110	75	835	
250M	2	406	349	/	/	/	168	60	140	18	53	250	24	485	490	365	620	445	215	30	120	80	910	
	4-12	406	349	/	/	/	168	65	140	18	58	250	24	485	490	365	620	445	215	30	120	80	910	
280S	2	457	368	/	/	/	190	65	140	18	58	280	24	545	550	400	675	490	215	35	140	85	985	
	4-12	457	368	/	/	/	190	75	140	20	67.5	280	24	545	550	400	675	490	215	35	140	85	985	
280M	2	457	419	/	/	/	190	65	140	18	58	280	24	545	550	400	675	540	215	35	140	85	1035	
	4-12	457	419	/	/	/	190	75	140	20	67.5	280	24	545	550	400	675	540	215	35	140	85	1035	
315S	2	508	406	/	/	/	216	65	140	18	58	315	28	630	625	555	865	570	250	49	110	120	1190	
	4-12	508	406	/	/	/	216	80	170	22	71	315	28	630	625	555	865	570	250	49	110	120	1220	
315M/L	2	508	457	508	/	/	216	65	140	18	58	315	28	630	625	555	865	680	250	49	110	120	1300	
	4-12	508	457	508	/	/	216	80	170	22	71	315	28	630	625	555	865	680	250	49	110	120	1330	
355M/L	2	610	500	560	630	/	254	75	140	20	67.5	355	28	730	710	/	1010	750	330	52	/	120	1525	
	4-12	610	500	560	630	/	254	100	210	25	86	355	28	730	710	/	1010	750	330	52	/	120	1565	
355X	2	610	630	710	800	/	254	75	140	20	67.5	355	35	760	780	/	1060	1140	330	52	/	135	1905	
	4-12	610	630	710	800	/	254	100	210	25	86	355	35	760	780	/	1060	1140	330	52	/	135	1955	
400	2	686	710	800	900	/	280	80	170	22	71	400	35	810	810	/	1075	1250	360	45	/	120	2050	
	4-12	686	710	800	900	/	280	110	210	28	71	400	35	810	810	/	1075	1250	360	45	/	120	2090	
450	2	800	900	1000	1120	1250	280	95	170	25	86	450	35	980	1030	/	1310	1495	440	45	/	170	2400	
	4-12	800	900	1000	1120	1250	280	120	210	32	109	450	35	980	1030	/	1310	1495	440	45	/	170	2400	
500	4-12	900	1120	/	/	/	315	140	250	36	128	500	42	1080	1100	/	1360	1600	420	65	/	180	2650	
	4-12	1000	1400	/	/	/	355	160	300	40	147	560	42	1170	1200	/	1480	1680	410	75	/	210	2700	



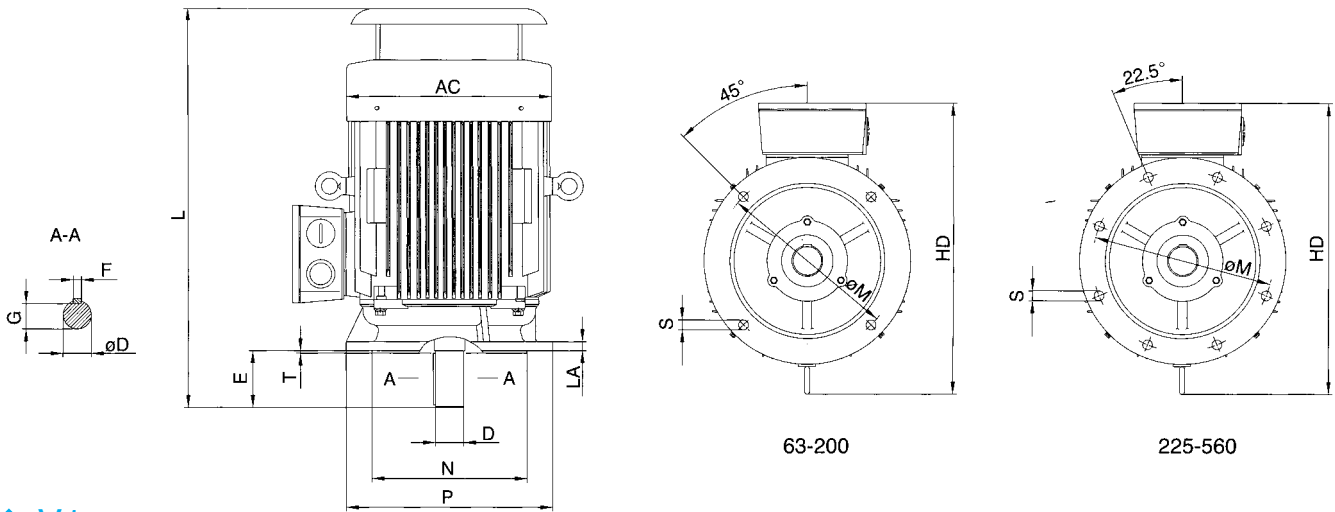
◆ B35

Frame size	Pole	Mounting dimensions (mm)																	Overall dimensions (mm)				
		A	B	B1	B2	B3	C	D	E	F	G	H	K	M	N	P	S	T	AB	AC	AD	HD	L
63M	2.4	100	80	/	/	/	40	11	23	4	8.5	63	7	115	95	140	4-ø10	4	135	125	/	185	225
71M	2.4.6	112	90	/	/	/	45	14	30	5	11	71	7	130	110	160	4-ø10	4	150	140	/	200	
80M	2-12	125	100	/	/	/	50	19	40	6	15.5	80	10	165	130	200	4-ø12	4	160	160	145	225	280
90S	2-12	140	100	/	/	/	56	24	50	8	20	90	10	165	130	200	4-ø12	4	180	175	155	245	315
90L	2-12	140	125	/	/	/	56	24	50	8	20	90	10	165	130	250	4-ø12	4	180	175	155	245	340
100L	2-12	160	140	/	/	/	63	28	60	8	24	100	12	215	180	250	4-ø15	4	200	200	180	270	375
112M	2-12	190	140	/	/	/	70	28	60	8	24	112	12	215	180	250	4-ø15	4	230	225	190	305	400
132S	2-12	216	140	/	/	/	89	38	80	10	33	132	12	265	230	300	4-ø15	4	265	260	210	345	465
132M	2-12	216	178	/	/	/	89	38	80	10	33	132	12	265	230	300	4-ø15	4	265	260	210	345	505
160M	2-12	254	210	/	/	/	108	42	110	12	37	160	15	300	250	350	4-ø19	5	315	315	260	415	600
160L	2-12	254	254	/	/	/	108	42	110	12	37	160	15	300	250	350	4-ø19	5	315	315	260	415	640
180M	2.4	279	241	/	/	/	121	48	110	14	42.5	180	15	300	250	350	4-ø19	5	350	360	280	455	690
180L	4-12	279	279	/	/	/	121	48	110	14	42.5	180	15	300	250	350	4-ø19	5	350	360	280	455	730
200L	2-12	318	305	/	/	/	133	55	110	16	49	200	19	350	300	400	4-ø19	5	390	400	305	505	760
225S	4.8	356	286	/	/	/	149	60	140	18	53	225	19	400	350	450	8-ø19	5	435	450	335	550	810
225M	2	356	311	/	/	/	149	55	110	16	49	225	19	400	350	450	8-ø19	5	435	450	335	550	805
	4-12	356	311	/	/	/	149	60	140	18	53	225	19	400	350	450	8-ø19	5	435	450	335	550	835
250M	2	406	349	/	/	/	168	60	140	18	53	250	24	500	450	550	8-ø19	5	485	490	365	620	910
	4-12	406	349	/	/	/	168	65	140	18	58	250	24	500	450	550	8-ø19	5	485	490	365	620	910
280S	2	457	368	/	/	/	190	65	140	18	58	280	24	500	450	550	8-ø19	5	545	550	400	675	985
	4-12	457	368	/	/	/	190	75	140	20	67.5	280	24	500	450	550	8-ø19	5	545	550	400	675	985
280M	2	457	419	/	/	/	190	65	140	18	58	280	24	500	450	550	8-ø19	5	545	550	400	675	1035
	4-12	457	419	/	/	/	190	75	140	20	67.5	280	24	500	450	550	8-ø19	5	545	550	400	675	1035
315S	2	508	406	/	/	/	216	65	140	18	58	315	28	600	550	660	8-ø24	6	630	625	555	865	1190
	4-12	508	406	/	/	/	216	80	170	22	71	315	28	600	550	660	8-ø24	6	630	625	555	865	1220
315M/L	2	508	457	508	/	/	216	65	140	18	58	315	28	600	550	660	8-ø24	6	630	625	555	865	1300
	4-12	508	457	508	/	/	216	80	170	22	71	315	28	600	550	660	8-ø24	6	630	625	555	865	1330
355M/L	2	610	500	560	/	/	254	75	140	20	67.5	355	28	740	680	800	8-ø24	6	730	710	/	1010	1525
	4-12	610	500	560	/	/	254	100	210	25	86	355	28	740	680	800	8-ø24	6	730	710	/	1010	1565
355X	2	610	630	710	800	/	254	75	140	20	67.5	355	35	740	680	800	8-ø24	6	760	780	/	1060	1905
	4-12	610	630	710	800	/	254	100	210	25	86	355	35	740	680	800	8-ø24	6	760	780	/	1060	1945
400	2	686	710	800	900	/	280	80	170	22	71	400	35	940	880	1000	8-ø28	6	810	810	/	1075	2050
	4-12	686	710	800	900	/	280	110	210	28	100	400	35	940	880	1000	8-ø28	6	810	810	/	1075	2090
450	2	800	900	1000	1120	1250	280	95	170	25	86	450	35	940	880	1000	8-ø28	6	980	1030	/	1310	2400
	4-12	800	900	1000	1120	1250	280	120	210	32	109	450	35	940	880	1000	8-ø28	6	980	1030	/	1310	2400
500	4-12	900	1120	/	/	/	315	140	250	36	128	500	42	1080	1000	1150	8-ø28	6	1080	1100	/	1360	2650
560	4-12	1000	1400	/	/	/	355	160	300	40	147	560	42	1180	1120	1250	8-ø28	6	1170	1200	/	1480	2700



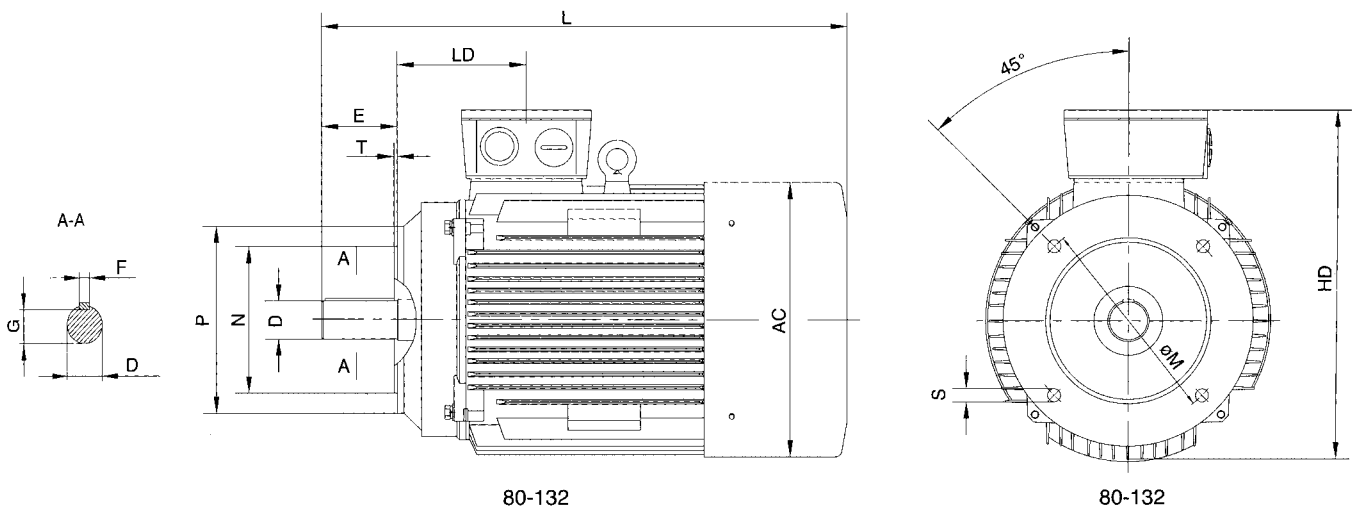
◆ B5

Frame size	Pole	Mounting dimensions (mm)										Overall dimensions (mm)		
		D	E	F	G	H	M	N	P	S	T	AC	HD	L
63M	2.4	11	23	4	8.5	63	115	95	140	4-ø10	4	125	185	225
71M	2.4.6	14	30	5	11	71	130	110	160	4-ø10	4	140	200	250
80M	2-12	19	40	6	15.5	80	165	130	200	4-ø12	4	160	245	280
90S	2-12	24	50	8	20	90	165	130	200	4-ø12	4	175	255	315
90L	2-12	24	50	8	20	90	165	130	200	4-ø12	4	175	255	340
100L	2-12	28	60	8	24	100	215	180	250	4-ø15	4	200	290	375
112M	2-12	28	60	8	24	112	215	180	250	4-ø15	4	225	310	400
132S	2-12	38	80	10	33	132	265	230	300	4-ø15	4	260	365	465
132M	2-12	38	80	10	33	132	265	230	300	4-ø15	4	260	365	505
160M	2-12	42	110	12	37	160	300	250	350	4-ø19	5	315	425	600
160L	2-12	42	110	12	37	160	300	250	350	4-ø19	5	315	425	640
180M	2.4	48	110	14	42.5	180	300	250	350	4-ø19	5	360	450	690
180L	4-12	48	110	14	42.5	180	300	250	350	4-ø19	5	360	450	730
200L	2-12	55	110	16	49	200	350	300	400	4-ø19	5	400	505	760
225S	4.8	60	140	18	53	225	400	350	450	8-ø19	5	450	550	810
225M	2	55	110	16	49	225	400	350	450	8-ø19	5	450	550	805
	4-12	60	140	18	53	225	400	350	450	8-ø19	5	450	550	835
250M	2	60	140	18	53	250	500	450	550	8-ø19	5	490	645	910
	4-12	65	140	18	58	250	500	450	550	8-ø19	5	490	645	910
280S	2	65	140	18	58	280	500	450	550	8-ø19	5	550	665	985
	4-12	65	140	20	67.5	280	500	450	550	8-ø19	5	550	665	985
280M	2	65	140	18	58	280	500	450	550	8-ø19	5	550	665	1035
	4-12	75	140	20	67.5	280	500	450	550	8-ø19	5	550	665	1035



◆ V1

Frame size	Pole	Mounting dimensions (mm)										Overall dimensions (mm)		
		D	E	F	G	H	M	N	P	S	T	AC	HD	L
63M	2.4	11	23	4	8.5	63	115	95	140	4-ø10	4	125	185	250
71M	2.4.6	14	30	5	11	71	130	110	160	4-ø10	4	140	200	275
80M	2-12	19	40	6	15.5	80	165	130	200	4-ø12	4	160	245	305
90S	2-12	24	50	8	20	90	165	130	200	4-ø12	4	175	255	345
90L	2-12	24	50	8	20	90	165	130	200	4-ø12	4	175	255	370
100L	2-12	28	60	8	24	100	215	180	250	4-ø15	4	200	290	410
112M	2-12	28	60	8	24	112	215	180	250	4-ø15	4	225	310	450
132S	2-12	38	80	10	33	132	265	230	300	4-ø15	4	260	365	510
132M	2-12	38	80	10	33	132	265	230	300	4-ø15	4	260	365	550
160M	2-12	42	110	12	37	160	300	250	350	4-ø19	5	315	435	650
160L	2-12	42	110	12	37	160	300	250	350	4-ø19	5	315	435	690
180M	2.4	48	110	14	42.5	180	300	250	350	4-ø19	5	360	515	750
180L	4-12	48	110	14	42.5	180	300	250	350	4-ø19	5	360	515	790
200L	2-12	55	110	16	49	200	350	300	400	4-ø19	5	400	560	840
225S	4.8	60	140	18	53	225	400	350	450	8-ø19	5	450	610	905
225M	2	55	110	16	49	225	400	350	450	8-ø19	5	450	610	910
	4-12	60	140	18	53	225	400	350	450	8-ø19	5	450	610	935
250M	2	60	140	18	53	250	500	450	550	8-ø19	5	490	690	995
	4-12	65	140	18	53	250	500	450	550	8-ø19	5	490	690	995
280S	2	65	140	18	53	280	500	450	550	8-ø19	5	550	750	1070
	4-12	75	140	20	67.5	280	500	450	550	8-ø19	5	550	750	1070
280M	2	65	140	18	58	280	500	450	550	8-ø19	5	550	750	1120
	4-12	75	140	20	67.5	280	500	450	550	8-ø19	5	550	750	1120
315S	2	65	140	18	58	315	600	550	660	8-ø24	6	625	985	1340
	4-12	80	170	22	71	315	600	550	660	8-ø24	6	625	985	1370
315M/L	2	65	140	18	58	315	600	550	660	8-ø24	6	625	985	1450
	4-12	80	170	22	71	315	600	550	660	8-ø24	6	625	985	1480
355M/L	2	75	140	20	67.5	355	740	680	800	8-ø24	6	710	1145	1665
	4-12	95	170	25	86	355	740	680	800	8-ø24	6	710	1145	1700
355X	2	75	140	20	67.5	355	740	680	800	8-ø24	6	780	1225	2025
	4-12	95	170	25	86	355	740	680	800	8-ø24	6	780	1225	2065
400M/L	2	80	170	22	71	400	940	880	1000	8-ø28	6	810	1245	2150
	4-12	110	210	28	100	400	940	880	1000	8-ø28	6	810	1245	2180
450	2	95	170	25	86	450	940	880	1000	8-ø28	6	1030	1310	2550
	4-12	120	210	32	109	450	940	880	1000	8-ø28	6	1030	1310	2550
500	4-12	140	250	36	128	500	1080	1000	1150	8-ø28	6	1100	1360	2850
560	4-12	160	300	40	147	560	1080	1120	1250	8-ø28	6	1200	1480	2900



80-132

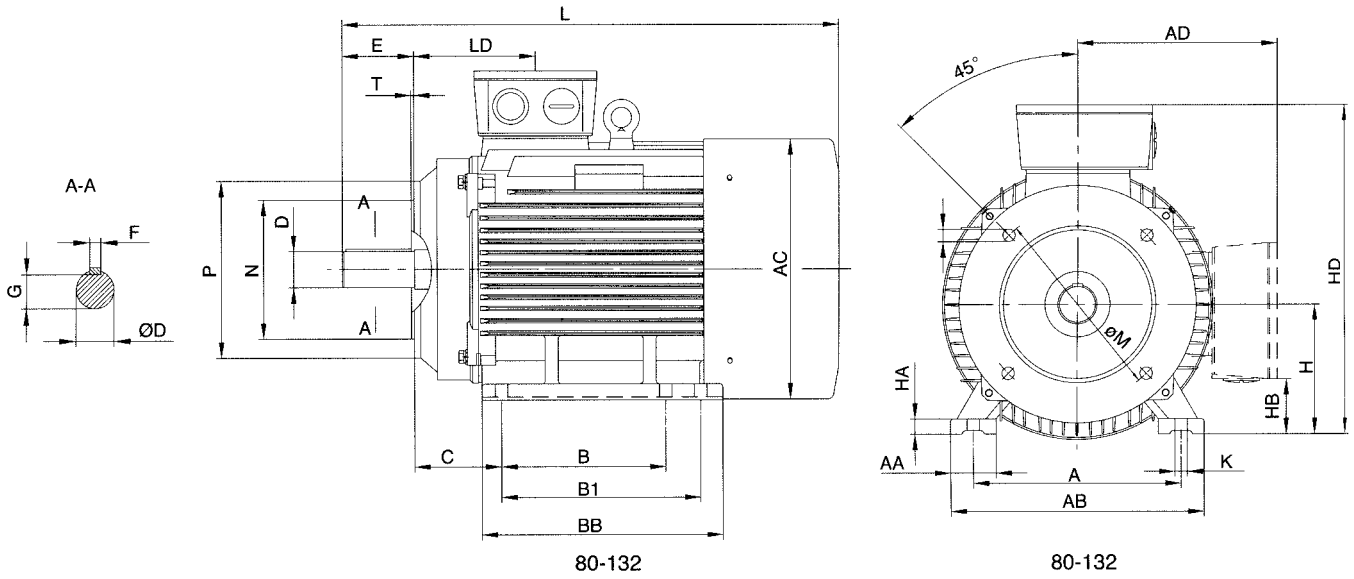
80-132

◆ B14

Frame size	Pole	Mounting dimensions (mm)												Overall dimensions (mm)		
		D	E	F	G	H	K	M	N	P	R	S	T	AC	HD	L
63M	2.4	11	23	4	8.5	63	7	75	60	90	0	4-M5	2.5	125	185	225
71M	2.4.6	14	30	5	11	71	7	85	70	105	0	4-M6	2.5	140	200	250
80M	2-12	19	40	6	15.5	80	10	100	80	120	0	4-M6	3	160	245	280
90S	2-12	24	50	8	20	90	10	115	95	140	0	4-M8	3	175	255	315
90L	2-12	24	50	8	20	90	10	115	95	140	0	4-M8	3	175	255	340
100L	2-12	28	60	8	24	100	12	130	110	160	0	4-M8	3.5	200	290	375
112M	2-12	28	60	8	24	112	12	130	110	160	0	4-M8	3.5	225	310	400
132S	2-12	38	80	10	33	132	12	165	130	200	0	4-M10	4	260	365	465
132M	2-12	38	80	10	33	132	12	165	130	200	0	4-M10	4	260	365	505

◆ B14

Frame size	Pole	Mounting dimensions (mm)												Overall dimensions (mm)		
		D	E	F	G	H	K	M	N	P	R	S	T	AC	HD	L
63M	2.4	11	23	4	8.5	63	7	100	80	120	0	4-M6	3	125	185	225
71M	2.4.6	14	30	5	11	71	7	115	95	140	0	4-M8	3	140	200	250
80M	2-12	19	40	6	15.5	80	10	130	110	160	0	4-M8	3.5	160	245	280
90S	2-12	24	50	8	20	90	10	130	110	160	0	4-M8	3.5	175	255	315
90L	2-12	24	50	8	20	90	10	130	110	160	0	4-M8	3.5	175	255	340
100L	2-12	28	60	8	24	100	12	165	130	200	0	4-M10	3.5	200	290	375
112M	2-12	28	60	8	24	112	12	165	130	200	0	4-M10	3.5	225	310	400
132S	2-12	38	80	10	33	132	12	215	180	250	0	4-M12	4	260	365	465
132M	2-12	38	80	10	33	132	12	215	180	250	0	4-M12	4	260	365	505

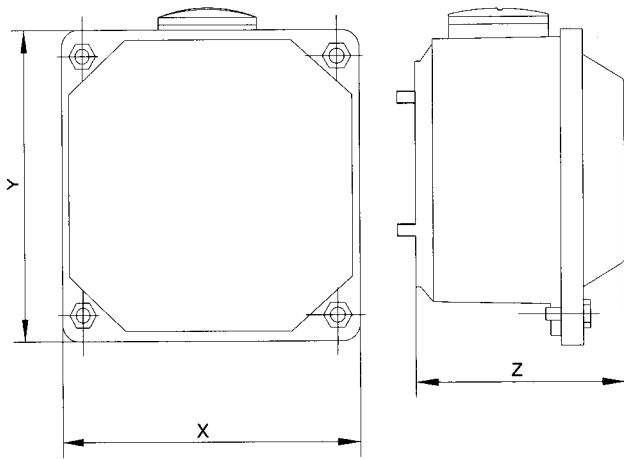


◆ B34

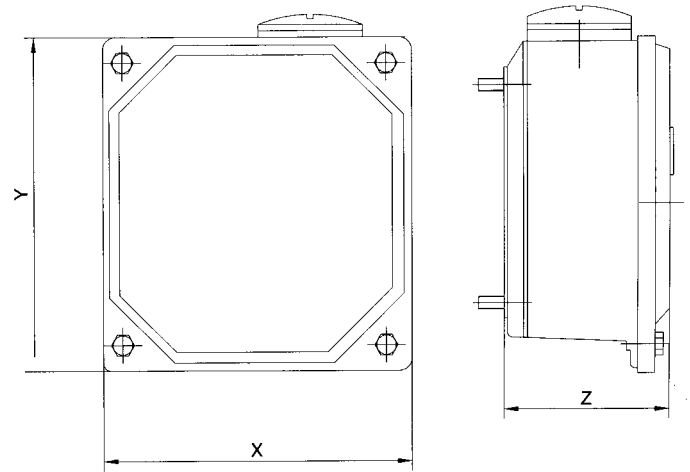
Frame size	Pole	Mounting dimensions (mm)															Overall dimensions (mm)				
		A	B	C	D	E	F	G	H	K	M	N	P	R	S	T	AB	AC	AD	HD	L
63M	2.4	100	80	40	11	23	4	8.5	63	7	75	60	90	0	4-M5	2.5	135	125	-	185	225
71M	2.4.6	112	90	45	14	30	5	11	71	7	85	70	105	0	4-M6	2.5	150	140	-	200	250
80M	2-12	125	100	50	19	40	6	15.5	80	10	100	80	120	0	4-M6	3	160	160	145	225	280
90S	2-12	140	100	56	24	50	8	20	90	10	115	95	140	0	4-M8	3	180	175	155	245	315
90L	2-12	140	125	56	24	50	8	20	90	10	115	95	140	0	4-M8	3	180	175	155	245	340
100L	2-12	160	140	63	28	60	8	24	100	12	130	110	160	0	4-M8	3.5	200	200	180	270	375
112M	2-12	190	140	70	28	60	8	24	112	12	130	110	160	0	4-M8	3.5	230	225	190	305	400
132S	2-12	216	140	89	38	80	10	33	132	12	165	130	200	0	4-M10	4	265	260	210	345	465
132M	2-12	216	178	89	38	80	10	33	132	12	165	130	200	0	4-M10	4	265	260	210	345	505

◆ B34

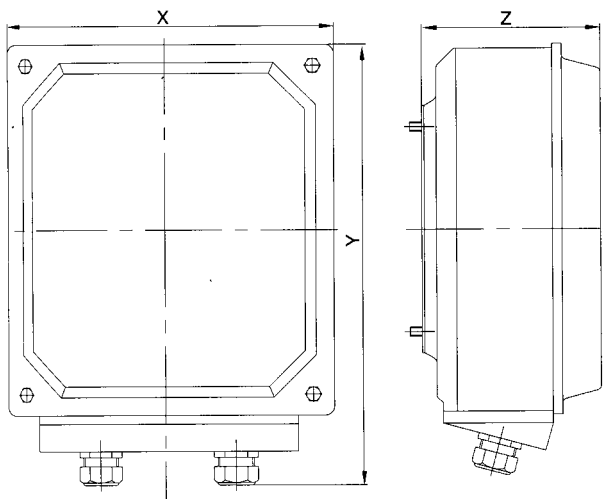
Frame size	Pole	Mounting dimensions (mm)															Overall dimensions (mm)				
		A	B	C	D	E	F	G	H	K	M	N	P	R	S	T	AB	AC	AD	HD	L
63M	2.4	100	80	40	11	23	4	8.5	63	7	100	80	120	0	4-M6	3	135	125	-	185	225
71M	2.4.6	112	90	45	14	30	5	11	71	7	115	95	140	0	4-M8	3	150	140	-	200	250
80M	2-12	125	100	50	19	40	6	15.5	80	10	130	110	160	0	4-M8	3.5	160	160	145	225	280
90S	2-12	140	100	56	24	50	8	20	90	10	130	110	160	0	4-M8	3.5	180	175	155	245	315
90L	2-12	140	125	56	24	50	8	20	90	10	130	110	160	0	4-M8	3.5	180	175	155	245	340
100L	2-12	160	140	63	28	60	8	24	100	12	165	130	200	0	4-M10	3.5	200	200	180	270	375
112M	2-12	190	140	70	28	60	8	24	112	12	165	130	200	0	4-M10	3.5	230	225	190	305	400
132S	2-12	216	140	89	38	80	10	33	132	12	215	180	250	0	4-M12	4	265	260	210	345	465
132M	2-12	216	178	89	38	80	10	33	132	12	215	180	250	0	4-M12	4	265	260	210	345	505



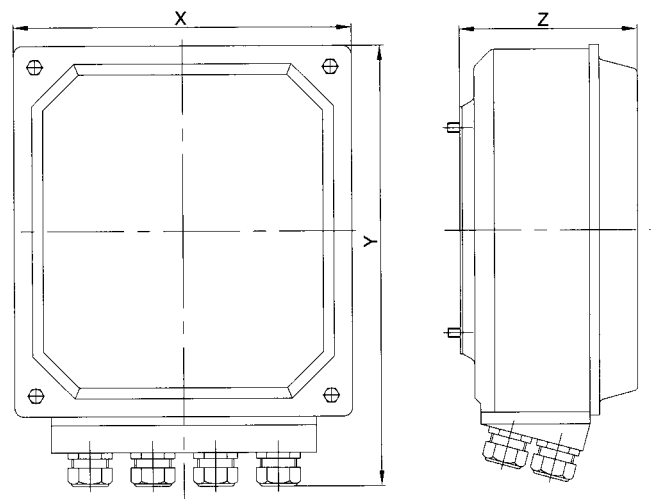
63~132



160~315



355~400



450~560

Frame size	Dia.of the gland mm	X x Y x Z
Y ₂ 63~100	1-M20x1.5-6H	106x108x65
Y ₂ 112~132	1-M25x1.5-6H	124x128x78
Y ₂ 160~180	2-M32x1.5-6H	158x168x90
Y ₂ 200~225	2-M50x1.5-6H	196x216x105
Y ₂ 250~280	2-M63x1.5-6H	226x226x124
Y ₂ 315	2-M63x1.5-6H	303x303x170
Y ₂ 355~400	4-M63x1.5-6H	440x670x275
Y ₂ 450~560	7-M63x1.5-6H	560x730x295

CUSCINETTI - BEARINGS

B3 B35 B5						
Frame size	Driving End			Non-driving End		
	2 pole	4 pole	>6 pole	2 pole	4 pole	>6 pole
63	6201ZZ	6201ZZ	6201ZZ	6201ZZ	6201ZZ	6201ZZ
71	6202ZZ	6202ZZ	6202ZZ	6202ZZ	6202ZZ	6202ZZ
80	6204ZZ	6204ZZ	6204ZZ	6204ZZ	6204ZZ	6204ZZ
90	6205ZZ/C3	6205ZZ/C3	6205ZZ	6205ZZ/C3	6205ZZ/C3	6205ZZ
100	6206ZZ/C3	6206ZZ/C3	6206ZZ/C3	6206ZZ/C3	6206ZZ/C3	6206ZZ/C3
112	6306ZZ/C3	6306ZZ/C3	6306ZZ/C3	6306ZZ/C3	6306ZZ/C3	6306ZZ/C3
132	6308ZZ/C3	6308ZZ/C3	6308ZZ/C3	6308ZZ/C3	6308ZZ/C3	6308ZZ/C3
160	6309ZZ/C3	6309ZZ/C3	6309ZZ/C3	6309ZZ/C3	6309ZZ/C3	6309ZZ/C3
180	6311ZZ/C3	6311ZZ/C3	6311ZZ/C3	6311ZZ/C3	6311ZZ/C3	6311ZZ/C3
200	6312ZZ/C3	6312ZZ/C3	6312ZZ/C3	6312ZZ/C3	6312ZZ/C3	6312ZZ/C3
225	6313ZZ/C3	6313ZZ/C3	6313ZZ/C3	6313ZZ/C3	6313ZZ/C3	6313ZZ/C3
250	6314ZZ/C3	6314ZZ/C3	6314ZZ/C3	6314ZZ/C3	6314ZZ/C3	6314ZZ/C3
280	6314C3	6317C3	6317C3	6314C3	6317C3	6317C3
315	6317C3	6319C3(NU319)	6319C3(NU319)	6319C3	6319C3	6319C3
355	6319C3	6322C3(NU322)	6322C3(NU322)	6319C3	6320C3	6320C3
400	6317C3	6326C3(NU326)	6326C3(NU326)	6319C3	6326C3	6326C3
450	6320C3	6328C3(NU328)	6328C3(NU328)	6320C3	6328C3	6328C3
500	/	6330C3(NU330)	6330C3(NU330)	/	6330C3	6330C3
560	/	/	6334C3(NU334)	/	6330C3	6330C3

V1						
Frame size	Driving End			Non-driving End		
	2 pole	4 pole	>6 pole	2 pole	4 pole	>6 pole
315	6317C3	6319C3(NU319)	6319C3(NU319)	7317	7319	7319
355	6319C3	6322C3(NU322)	6322C3(NU322)	7319	7320	7320
400	6317C3	6326C3(NU326)	6326C3(NU326)	7319	7326	7326
450	6320C3	6328C3(NU328)	6328C3(NU328)	7320	7328	7328
500	/	6330C3(NU330)	6330C3(NU330)	/	7330	7330
560	/	/	6334C3(NU334)	/	7330	7330

VIBRAZIONI - VIBRATION

Frame size	≤132		>132~225		>225~400	
Synchronous Speed r/min	600~1800	>1800~3600	600~1800	>1800~3600	500~1800	>1800~3600
Vibration Class	Effective Value of speed mm/s					
N	1.8		2.8		3.5	
R	0.71	1.12	1.12	1.80	1.80	2.80
S	0.45	0.71	0.71	1.12	1.12	1.80

RUMOROSITÀ (50Hz) NOISE (50Hz)

Output (kW)	Synchronous Speed r/min					
	3000	1500	1000	750	600	500
	Lp dB(A) Sound perssure level in dB(A)					
	no load	no load	no load	no load	no load	no load
0.09	/	/	/	/	40	/
0.12	/	45	/	/	40	/
0.18	50	45	45	42	40	/
0.25	50	46	45	42	40	40
0.37	54	46	46	44	40	44
0.55	54	47	46	44	40	44
0.75	57	47	48	45	43	48
1.1	57	51	48	45	43	54
1.5	62	51	52	48	48	54
2.2	62	52	54	50	50	60
3	66	52	57	51	55	60
4	67	55	57	56	55	60
5.5	70	57	57	56	58	62
7.5	70	57	61	57	58	62
11	76	62	61	59	60	65
15	76	62	61	60	60	69
18.5	76	64	65	62	60	72
22	79	65	65	62	64	72
30	81	66	65	64	64	75
37	81	70	66	65	64	75
45	81	70	68	65	66	75
55	82	72	68	66	66	75
75	83	75	70	66	66	72
90	84	75	70	67	66	72
110	86	78	71	67	68	72
132	86	78	71	72	68	75
160	87	80	72	72	68	75
200	87	80	73	73	68	75
250	90	84	73	73	68	75
315	90	84	76	75	68	75
355	90	84	76	75	70	75
400	94	87	76	75	70	75
450	94	87	76	77	70	75
500	94	89	76	77	72	75
560	94	89	79	78	72	75
630	94	91	79	78	72	/
710	94	92	79	79	74	/
800	96	92	82	79	74	/
900	96	92	82	79	74	/
1000	96	92	82	80	/	/
1120	96	94	84	80	/	/
1250	96	94	84	80	/	/
1400	96	94	84	/	/	/

